

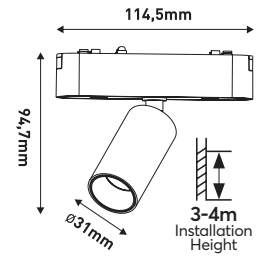


EUROLAMP

Focos LED para carril
y carril magnético

Track Spot LED
Lights & Magnetic
Track

aimuir[®]
ILUMINACION



3CCT

(2700K 4300K 6000K)

Ultra Slim with Triac 5W

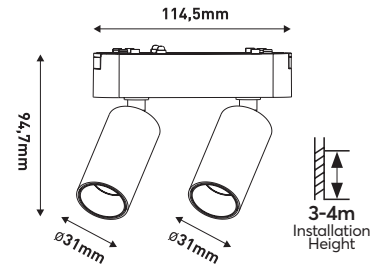


H AISRI
LED Driver

Volt DC 40V • LED Type COB • Chip Brand Epistar
Start Time 0.5 sec • PF >0.50 • Operating Temperature -20°C / +45°C
Connection Conector de cobre / Copper Spot Connector
Material Aluminio y Plástico - Cobre / Aluminium - Plastic - Copper

CRI **Ra >90** | BEAM ANGLE **24°** | DIMMABLE | **3 YEARS WARRANTY**

Code	Barcode	Watt	Amperage mA	Kelvin	Lumen/Watt	Weight (kg)	Color	Packing	MOQ	(€) Price
145-59500	5207227286759	5	130	3CCT	80	0.099	BLACK	1/30	1	34,60
145-59501	5207227286766	5	130	3CCT	80	0.099	WHITE	1/30	1	34,60
145-59502	5207227286773	5	130	3CCT	80	0.099	BRONZE	1/30	1	36,70



3CCT

(2700K 4300K 6000K)

Ultra Slim with Triac 2x5W

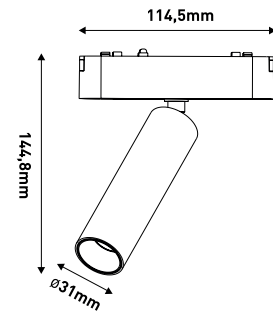


H AISRI
LED Driver

Volt DC 40V • LED Type COB • Chip Brand Epistar
Start Time 0.5 sec • PF >0.50 • Operating Temperature -20°C / +45°C
Connection Conector de cobre / Copper Spot Connector
Material Aluminio - Plástico - Cobre / Aluminium - Plastic - Copper

CRI **Ra >90** | BEAM ANGLE **24°** | DIMMABLE | **3 YEARS WARRANTY**

Code	Barcode	Watt	Amperage mA	Kelvin	Lumen/Watt	Weight (kg)	Color	Packing	MOQ	(€) Price
145-59503	5207227286780	10	250	3CCT	80	0.145	BLACK	1/30	1	57,45



3CCT

(2700K 4300K 6000K)

Ultra Slim with Triac 7W



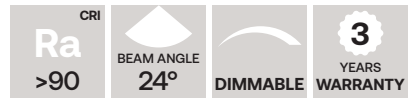
HAISRI
LED Driver

Volt DC 40V • LED Type COB • Chip Brand Epistar

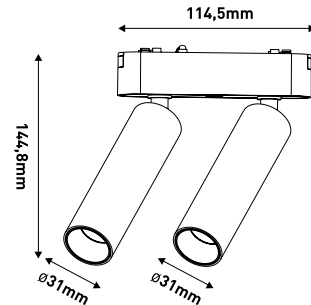
Start Time 0.5 sec • PF >0.50 • Operating Temperature -20°C / +45°C

Connection Conector de cobre / Copper Spot Connector

Material Aluminio - Plástico - Cobre / Aluminium - Plastic - Copper



Code	Barcode	Watt	Amperage mA	Kelvin	Lumen/Watt	Weight (kg)	Color	Packing	MOQ	(€) Price
145-59504	5207227286797	7	170	3CCT	80	0.161	BLACK	1/30	1	38,80
145-59505	5207227286803	7	170	3CCT	80	0.161	WHITE	1/30	1	38,80
145-59506	5207227286810	7	170	3CCT	80	0.161	BRONZE	1/30	1	41,15



3CCT

(2700K 4300K 6000K)

Ultra Slim with Triac 2x7W



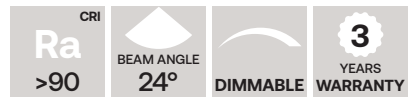
HAISRI
LED Driver

Volt DC 40V • LED Type COB • Chip Brand Epistar


Start Time 0.5 sec • PF >0.50 • Operating Temperature -20°C / +45°C

Connection Conector de cobre / Copper Spot Connector

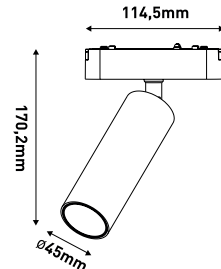
Material Aluminio - Plástico - Cobre / Aluminium - Plastic - Copper




Code	Barcode	Watt	Amperage mA	Kelvin	Lumen/Watt	Weight (kg)	Color	Packing	MOQ	(€) Price
145-59507	5207227286827	14	350	3CCT	80	0.277	BLACK	1/30	1	65,10











3CCT
(2700K 4300K 6000K)





3-4m
Installation
Height

Ultra Slim with Triac 15W

Volt DC 40V · LED Type COB · Chip Brand Epistar
 Start Time 0.5 sec · PF >0.50 · Operating Temperature -20°C / +45°C
 Connection Conector de cobre / Copper Spot Connector
 Material Aluminio - Plástico - Cobre / Aluminium - Plastic - Copper


CRI
Ra
>90

BEAM ANGLE
36°

DIMMABLE

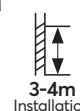
3
YEARS
WARRANTY

Code	Barcode	Watt	Amperage mA	Kelvin	Lumen/Watt	Weight (kg)	Color	Packing	MOQ	(€) Price
145-59508	5207227286834	15	400	3CCT	80	0.257	BLACK	1/30	1	50,00
145-59509	5207227286841	15	400	3CCT	80	0.257	WHITE	1/30	1	50,00
145-59510	5207227286858	15	400	3CCT	80	0.257	BRONZE	1/30	1	53,85






3CCT
(2700K 4300K 6000K)





3-4m
Installation
Height







Ultra Slim with Triac 10W Ø100

Volt DC 40V · LED Type COB · Chip Brand Epistar
 Start Time 0.5 sec · PF >0.50 · Operating Temperature -20°C / +45°C
 Connection Conector de cobre / Copper Spot Connector
 Material Aluminio - Plástico - Cobre / Aluminium - Plastic - Copper

CRI
Ra
>90

BEAM ANGLE
128°

DIMMABLE

3
YEARS
WARRANTY

Code	Barcode	Watt	Amperage mA	Kelvin	Lumen/Watt	Weight (kg)	Color	Packing	MOQ	(€) Price
145-59511	5207227286865	10	250	3CCT	80	0.531	BLACK	1/20	1	88,65



3CCT
(2700K 4300K 6000K)





3-4m
Installation
Height










Ultra Slim 15W Ø105mm

Volt DC 40V · LED Type COB · Chip Brand Epistar
 Start Time 0.5 sec · PF >0.50 · Operating Temperature -20°C / +45°C
 Connection Conector de cobre / Copper Spot Connector
 Material Aluminio - Plástico - Cobre / Aluminium - Plastic - Copper

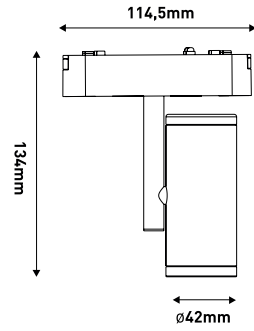
CRI
Ra
>90

BEAM ANGLE
36°

DIMMABLE

3
YEARS
WARRANTY

Code	Barcode	Watt	Amperage mA	Kelvin	Lumen/Watt	Weight (kg)	Color	Packing	MOQ	(€) Price
145-59518	5207227286933	15	400	3CCT	80	0.456	BLACK	1/30	1	88,65
145-59519	5207227286940	15	400	3CCT	80	0.456	WHITE	1/30	1	88,65



3-4m
Installation
Height

3CCT

(2700K 4300K 6000K)

Ultra Slim with Triac 8W

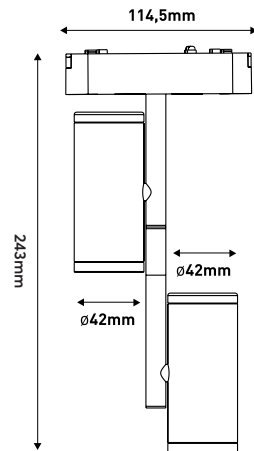


HAISRI
LED Driver

Volt DC 40V · LED Type COB · Chip Brand Epistar
Start Time 0.5 sec · PF >0.50 · Operating Temperature -20°C / +45°C
Connection Conector de cobre / Copper Spot Connector
Material Aluminio - Plástico - Cobre / Aluminium - Plastic - Copper

CRI **Ra >90** BEAM ANGLE **36°** DIMMABLE **3 YEARS WARRANTY**

Code	Barcode	Watt	Amperage mA	Kelvin	Lumen/Watt	Weight (kg)	Color	Packing	MOQ	(€) Price
145-59512	5207227286872	8	200	3CCT	80	0.181	BLACK	1/30	1	53,85



3-4m
Installation
Height

3CCT

(2700K 4300K 6000K)

Ultra Slim with Triac 2x8W

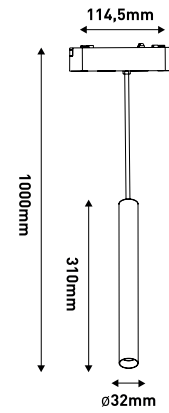


HAISRI
LED Driver

Volt DC 40V · LED Type COB · Chip Brand Epistar
Start Time 0.5 sec · PF >0.50 · Operating Temperature -20°C / +45°C
Connection Conector de cobre / Copper Spot Connector
Material Aluminio - Plástico - Cobre / Aluminium - Plastic - Copper

CRI **Ra >90** BEAM ANGLE **36°** DIMMABLE **3 YEARS WARRANTY**

Code	Barcode	Watt	Amperage mA	Kelvin	Lumen/Watt	Weight (kg)	Color	Packing	MOQ	(€) Price
145-59513	5207227286889	16	400	3CCT	80	0.340	BLACK	1/30	1	92,40



3CCT

(2700K 4300K 6000K)

Ultra Slim with Triac 7W

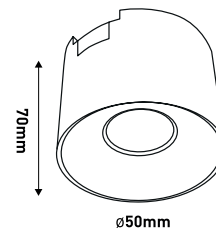


HAISRI LED Driver

Volt DC 40V · LED Type COB · Chip Brand Epistar
 Start Time 0.5 sec · PF >0.50 · Operating Temperature -20°C / +45°C
 Connection Conector de cobre / Copper Spot Connector
 Material Aluminio - Plástico - Cobre / Aluminium - Plastic - Copper

CRI **Ra >90** BEAM ANGLE **24°** DIMMABLE **3 YEARS WARRANTY**

Code	Barcode	Watt	Amperage mA	Kelvin	Lumen/Watt	Weight (kg)	Color	Packing	MOQ	(€) Price
145-59514	5207227286896	7	170	3CCT	80	0.321	BLACK	1/30	1	50,15
145-59515	5207227286902	7	170	3CCT	80	0.321	WHITE	1/30	1	50,15



3CCT

(2700K 4300K 6000K)

Ultra Slim 8W 50x70mm

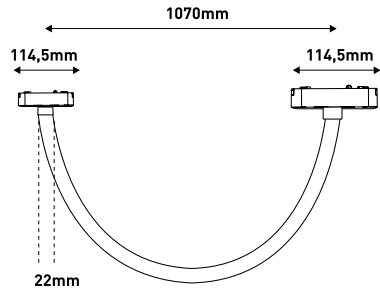


HAISRI LED Driver

Volt DC 40V · LED Type COB · Chip Brand Epistar
 Start Time 0.5 sec · PF >0.50 · Operating Temperature -20°C / +45°C
 Connection Conector de cobre / Copper Spot Connector
 Material Aluminio - Plástico - Cobre / Aluminium - Plastic - Copper

CRI **Ra >90** BEAM ANGLE **36°** DIMMABLE **3 YEARS WARRANTY**

Code	Barcode	Watt	Amperage mA	Kelvin	Lumen/Watt	Weight (kg)	Color	Packing	MOQ	(€) Price
145-59516	5207227286919	8	200	3CCT	80	0.165	BLACK	1/30	1	35,85
145-59517	5207227286926	8	200	3CCT	80	0.165	WHITE	1/30	1	35,85



3CCT

(2700K 4300K 6000K)

Ultra Slim 18W 114.5x22x1070mm

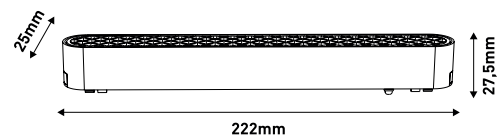


HAISRI
LED Driver

Volt DC 40V · LED Type SMD2835 · Chip Brand Epistar
Start Time 0.5 sec · PF >0.50 · Operating Temperature -20°C / +45°C
Connection Conector de cobre / Copper Spot Connector
Material Aluminio - Plástico - Cobre / Aluminium - Plastic - Copper

CRI **Ra >90** BEAM ANGLE **360°** DIMMABLE **3 YEARS WARRANTY**

Code	Barcode	Watt	Amperage mA	Kelvin	Lumen/Watt	Weight (kg)	Color	Packing	MOQ	(€) Price
145-59520	5207227286957	18	450	3CCT	70	0.915	WHITE	1/10	1	76,90



3CCT

(2700K 4300K 6000K)

Ultra Slim 12W 60°



HAISRI
LED Driver

Volt DC 40V · LED Type SMD2835 · Chip Brand Epistar
Start Time 0.5 sec · PF >0.50 · Operating Temperature -20°C / +45°C
Connection Conector de cobre / Copper Spot Connector
Material Aluminio - Plástico - Cobre / Aluminium - Plastic - Copper

CRI **Ra >90** BEAM ANGLE **60°** DIMMABLE **3 YEARS WARRANTY**

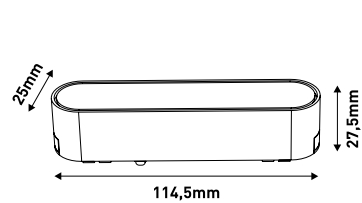
Code	Barcode	Watt	Amperage mA	Kelvin	Lumen/Watt	Weight (kg)	Color	Packing	MOQ	(€) Price
145-59528	5207227287022	12	300	3CCT	45	0.136	BLACK	1/50	1	30,20
145-59533	5207227287077	12	300	3CCT	45	0.136	WHITE	1/50	1	30,20



147-99836
Matetín de presentación
Show Box for Ultra Slim

incluye / Includes:

- 145-59545
- 145-59559
- 145-59560
- 145-59522
- 145-59523
- 145-59525
- 145-59526
- 145-59527
- 145-59528
- 145-59500
- 145-59504
- 145-59508
- 145-59550
- 145-59551
- 145-59554
- 145-59555
- 145-59557
- 145-59558



3CCT

(2700K 4300K 6000K)

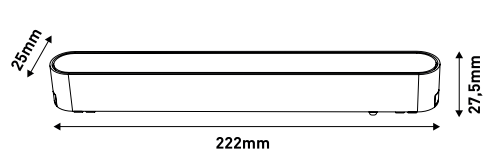
Ultra Slim 6W 100°



HAISRI LED Driver

Volt DC 40V · LED Type SMD2835 · Chip Brand Epistar
 Start Time 0.5 sec · PF >0.50 · Operating Temperature -20°C / +45°C
 Connection Conector de cobre / Copper Spot Connector
 Material Aluminio - Plástico - Cobre / Aluminium - Plastic - Copper

Code	Barcode	Watt	Amperage mA	Kelvin	Lumen/Watt	Weight (kg)	Color	Packing	MOQ	(€) Price
145-59522	5207227286964	6	150	3CCT	50	0.072	BLACK	1/50	1	22,20
145-59529	5207227287039	6	150	3CCT	50	0.072	WHITE	1/50	1	22,20



3CCT

(2700K 4300K 6000K)

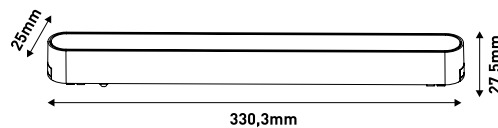
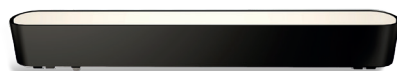
Ultra Slim 12W 100°



HAISRI LED Driver

Volt DC 40V · LED Type SMD2835 · Chip Brand Epistar
 Start Time 0.5 sec · PF >0.50 · Operating Temperature -20°C / +45°C
 Connection Conector de cobre / Copper Spot Connector
 Material Aluminio - Plástico - Cobre / Aluminium - Plastic - Copper

Code	Barcode	Watt	Amperage mA	Kelvin	Lumen/Watt	Weight (kg)	Color	Packing	MOQ	(€) Price
145-59523	5207227286971	12	300	3CCT	50	0.135	BLACK	1/50	1	29,90
145-59530	5207227287046	12	300	3CCT	50	0.135	WHITE	1/50	1	29,90



3CCT

(2700K 4300K 6000K)

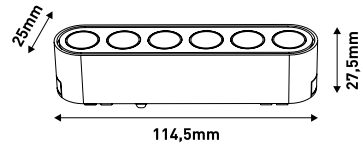
Ultra Slim 16W 100°



HAISRI LED Driver

Volt DC 40V · LED Type SMD2835 · Chip Brand Epistar
 Start Time 0.5 sec · PF >0.50 · Operating Temperature -20°C / +45°C
 Connection Conector de cobre / Copper Spot Connector
 Material Aluminio - Plástico - Cobre / Aluminium - Plastic - Copper

Code	Barcode	Watt	Amperage mA	Kelvin	Lumen/Watt	Weight (kg)	Color	Packing	MOQ	(€) Price
145-59524	5207227286988	16	400	3CCT	50	0.204	BLACK	1/50	1	40,95



3CCT

(2700K 4300K 6000K)

Ultra Slim 6W 100°

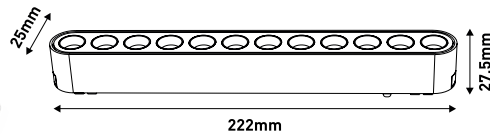


HAISRI
LED Driver

Volt DC 40V · LED Type SMD3030 · Chip Brand Epistar
Start Time 0.5 sec · PF >0.50 · Operating Temperature -20°C / +45°C
Connection Conector de cobre / Copper Spot Connector
Material Aluminio - Plástico - Cobre / Aluminium - Plastic - Copper

CRI **Ra >90** BEAM ANGLE **36°** DIMMABLE **3 YEARS WARRANTY**

Code	Barcode	Watt	Amperage mA	Kelvin	Lumen/Watt	Weight (kg)	Color	Packing	MOQ	(€) Price
145-59525	5207227286995	6	150	3CCT	80	0.079	BLACK	1/50	1	24,35
145-59531	5207227287053	6	150	3CCT	80	0.079	WHITE	1/50	1	24,35



3CCT

(2700K 4300K 6000K)

Ultra Slim 12W 36°

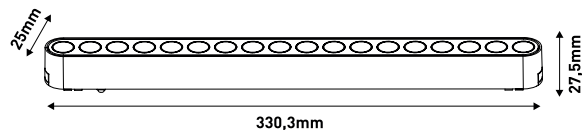


HAISRI
LED Driver

Volt DC 40V · LED Type SMD3030 · Chip Brand Epistar
Start Time 0.5 sec · PF >0.50 · Operating Temperature -20°C / +45°C
Connection Conector de cobre / Copper Spot Connector
Material Aluminio - Plástico - Cobre / Aluminium - Plastic - Copper

CRI **Ra >90** BEAM ANGLE **36°** DIMMABLE **3 YEARS WARRANTY**

Code	Barcode	Watt	Amperage mA	Kelvin	Lumen/Watt	Weight (kg)	Color	Packing	MOQ	(€) Price
145-59526	5207227287008	12	300	3CCT	80	0.144	BLACK	1/50	1	33,80
145-59532	5207227287060	12	300	3CCT	80	0.144	WHITE	1/50	1	33,80



3CCT

(2700K 4300K 6000K)

Ultra Slim 16W 36°



HAISRI
LED Driver

Volt DC 40V · LED Type SMD3030 · Chip Brand Epistar
Start Time 0.5 sec · PF >0.50 · Operating Temperature -20°C / +45°C
Connection Conector de cobre / Copper Spot Connector
Material Aluminio - Plástico - Cobre / Aluminium - Plastic - Copper

CRI **Ra >90** BEAM ANGLE **36°** DIMMABLE **3 YEARS WARRANTY**

Code	Barcode	Watt	Amperage mA	Kelvin	Lumen/Watt	Weight (kg)	Color	Packing	MOQ	(€) Price
145-59527	5207227287015	16	400	3CCT	80	0.214	BLACK	1/50	1	49,05



Ultra Slim On-Off



Volt DC 40V

Operating Temperature -20°C / +45°C

Connection Conector de cobre / Copper Spot Connector

Material Aluminio - Plástico - Cobre / Aluminium - Plastic - Copper



Code	Barcode	Dimension (mm)			Watt	Weight (kg)	Color	Packing	MOQ	(€) Price
		↔	↔	↕						
145-59540	5207227287084	290	25	27.6	100	0.320	BLACK	1/30	1	51,20
145-59541	5207227287091	290	25	27.6	200	0.340	BLACK	1/30	1	72,55

Ultra Slim with Triac DIMMABLE

Code	Barcode	Dimension (mm)			Watt	Weight (kg)	Color	Packing	MOQ	(€) Price
		↔	↔	↕						
145-59542	5207227287107	290	25	27.6	100	0.338	BLACK	1/30	1	94,95
145-59543	5207227287114	345	25	27.6	200	0.460	BLACK	1/30	1	135,45
145-59572	5207227363566	290	25	27.6	100	0.338	WHITE	1/30	1	94,95
145-59573	5207227363573	345	25	27.6	150	0.460	WHITE	1/30	1	135,45

Ultra Slim DALI



Code	Barcode	Dimension (mm)			Watt	Weight (kg)	Color	Packing	MOQ	(€) Price
		↔	↔	↕						
145-59544	5207227287121	290	25	27.6	100	0.345	BLACK	1/30	1	98,10
145-59545	5207227287138	345	25	27.6	200	0.465	BLACK	1/30	1	141,10
145-59574	5207227363580	290	25	27.6	100	0.345	WHITE	1/30	1	98,10
145-59575	5207227363597	345	25	27.6	150	0.465	WHITE	1/30	1	141,10

Instalación

1

Retire la tapa

2

Alinee el contacto de cobre inferior con el carril y colóquelo en posición vertical

3

Asegúrese de que la fuente de alimentación esté firmemente fijada y completamente nivelada en el carril

4

Inserte la tapa inferior de la fuente de alimentación en el cable

Fijación de la tapa inferior de la fuente de alimentación con un tornillo

5

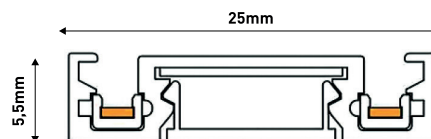
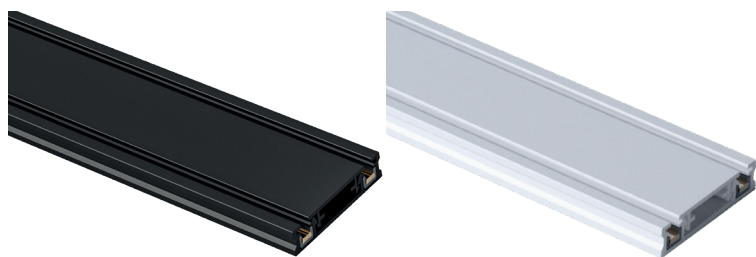
Conecte el cable

6

Alinee el alojamiento de la tapa inferior con la tapa superior de los componentes

On Power

- 1.- Remove the cover.
- 2.-Align the lower copper contact with the track and insert it vertically.
- 3.- Ensure that the power supply is securely fastened and completely level on the track
- 4.- Insert the lower cover of the power supply into the cable. Fixing the lower cover of the power supply with a screw
- 5.- Connect the cable
- 6.- Align the socket of the lower cover with the upper cover of the components



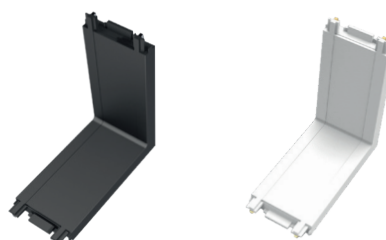
Ultra Slim



Volt DC 40V
 Operating Temperature -20°C / +45°C
 Connection Conector de cobre / Copper Spot Connector
 Material Aluminio - Plástico - Cobre / Aluminium - Plastic - Copper



Code	Barcode	Dimension (mm) ↕ ↔ ↕	Weight (kg)	Color	Packing	MOQ	(€) Price
145-59550	5207227287145	1000 x 25 x 5.5	0.253	BLACK	1/10	1	16,60
145-59551	5207227287152	1500 x 25 x 5.5	0.384	BLACK	1/10	1	24,90
145-59552	5207227287169	2000 x 25 x 5.5	0.512	BLACK	1/10	1	33,10
145-59561	5207227287251	1000 x 25 x 5.5	0.253	WHITE	1/10	1	24,90
145-59562	5207227287268	2000 x 25 x 5.5	0.512	WHITE	1/10	1	33,10



Ultra Slim Vertical - In jointed



Volt DC 40V
 Operating Temperature -20°C / +45°C
 Connection Conector de cobre / Copper Spot Connector
 Material Aluminio - Plástico - Cobre / Aluminium - Plastic - Copper



Code	Barcode	Weight (kg)	Color	Packing	MOQ	(€) Price
145-59557	5207227287213	0.015	BLACK	1/50	1	7,60
145-59567	5207227287312	0.015	WHITE	1/50	1	7,60



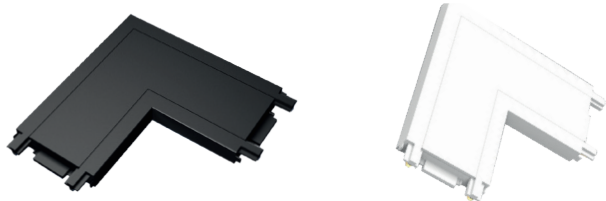
Ultra Slim Curvo - Curve



Volt DC 40V
 Operating Temperature -20°C / +45°C
 Connection Conector de cobre / Copper Spot Connector
 Material Aluminio - Plástico - Cobre / Aluminium - Plastic - Copper



Code	Barcode	Weight (kg)	Color	Packing	MOQ	(€) Price
145-59580	5207227403040	0.010	BLACK	1/200	1	6,80
145-59569	5207227403064	0.010	WHITE	1/200	1	6,80



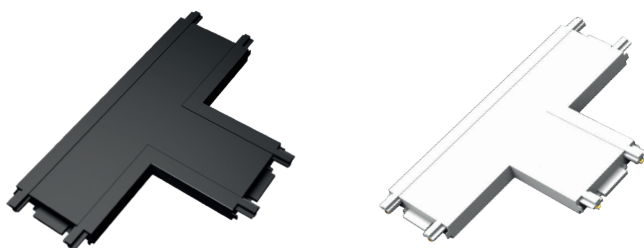
Ultra Slim Esquina - Angle 90°



Volt DC 40V
 Operating Temperature -20°C / +45°C
 Connection Conector de cobre / Copper Spot Connector
 Material Aluminio - Plástico - Cobre / Aluminium - Plastic - Copper



Code	Barcode	Weight (kg)	Color	Packing	MOQ	(€) Price
145-59554	5207227287183	0.012	BLACK	1/50	1	6,90
145-59564	5207227287282	0.012	WHITE	1/50	1	6,90



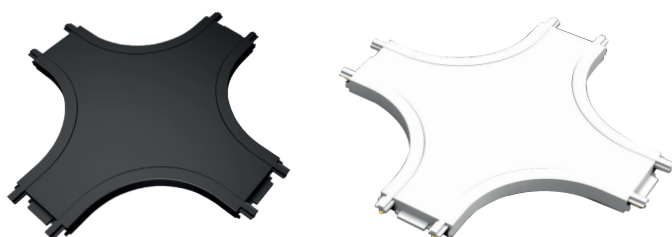
Ultra Slim Tipo T - Type T



Volt DC 40V
 Operating Temperature -20°C / +45°C
 Connection Conector de cobre / Copper Spot Connector
 Material Aluminio - Plástico - Cobre / Aluminium - Plastic - Copper



Code	Barcode	Weight (kg)	Color	Packing	MOQ	(€) Price
145-59555	5207227287190	0.026	BLACK	1/50	1	9,50
145-59565	5207227287299	0.026	WHITE	1/50	1	9,50



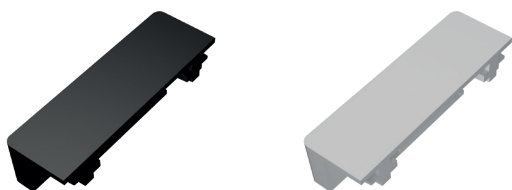
Ultra Slim Tipo cruz - Cross



Volt DC 40V
 Operating Temperature -20°C / +45°C
 Connection Conector de cobre / Copper Spot Connector
 Material Aluminio - Plástico - Cobre / Aluminium - Plastic - Copper



Code	Barcode	Weight (kg)	Color	Packing	MOQ	(€) Price
145-59556	5207227287206	0.032	BLACK	1/50	1	11,85
145-59566	5207227287305	0.032	WHITE	1/50	1	11,85



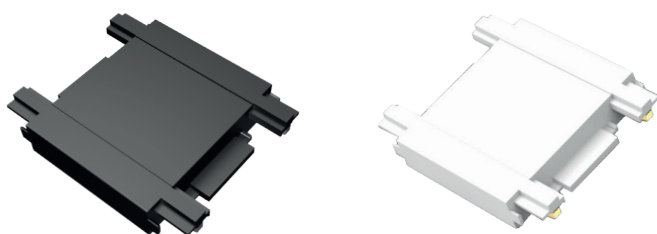
Ultra Slim Tapa - End cup



Operating Temperature -20°C / +45°C
Material Πλαστικό / Plastic



Code	Barcode	Weight (kg)	Color	Packing	MOQ	(€) Price
145-59553	5207227287176	0.001	BLACK	1/200	1	1,65
145-59563	5207227287275	0.001	WHITE	1/10	1	1,65



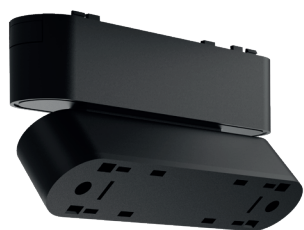
Ultra Slim Conector recto - Type "I"



Volt DC 40V
Operating Temperature -20°C / +45°C
Connection Conector de cobre / Copper Spot Connector
Material Aluminio - Plástico - Cobre / Aluminium - Plastic - Copper



Code	Barcode	Weight (kg)	Color	Packing	MOQ	(€) Price
145-59558	5207227287220	0.005	BLACK	1/50	1	4,15
145-59568	5207227287329	0.005	WHITE	1/50	1	4,15



Conector ajustable Ultra Slim - Adjustable



Volt DC 40V
Operating Temperature -20°C / +45°C
Connection Conector de cobre / Copper Spot Connector
Material Aluminio - Plástico - Cobre / Aluminium - Plastic - Copper



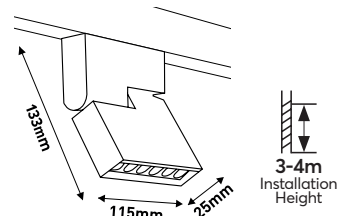
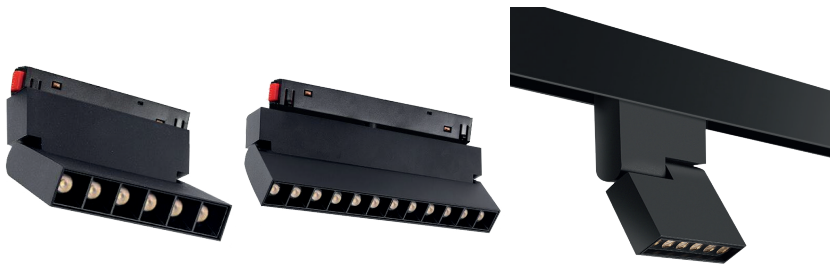
Code	Barcode	Watt	Length (mm)	Weight (kg)	Color	Packing	MOQ	(€) Price
145-59559	5207227287237	6	222	0.078	BLACK	1/30	1	18,10
145-59560	5207227287244	12	114,5	0.135	BLACK	1/30	1	20,30





Carril Magnético
48V

Magnetic Track
48V



Tyanshint
LED Driver

LED 24°



Volt DC 48V • LED Type SMD3030 • Chip Brand Osram

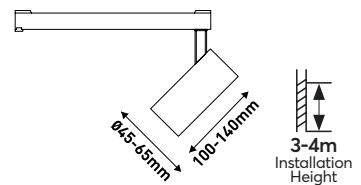
Start Time 0.5 sec • PF >0.50 • Operating Temperature -20°C / +45°C

Connection Contacto magnético / Magnetik Contact

Material Aluminio - Plástico - Cobre / Aluminium - Plastic - Copper

CRI Ra >80	BEAM ANGLE 24°	3 YEARS WARRANTY
-------------------------	--------------------------	-------------------------------

Code	Barcode	Watt	Amperage mA	Kelvin	Lumen/Watt	Weight (kg)	Color	Packing	MOQ	(€) Price
145-59932	5207227151552	6	300	4000	66	0.280	BLACK	1/20	1	41,90
145-59933	5207227151569	12	600	4000	66	0.480	BLACK	1/20	1	49,90
145-59936	5207227259234	6	300	3000	66	0.280	BLACK	1/20	1	41,90
145-59937	5207227259241	12	600	3000	66	0.480	BLACK	1/20	1	49,90



Tyanshint
LED Driver

● Negro/Black

LED 24°



Volt DC 48V • LED Type COB • Chip Brand Goym

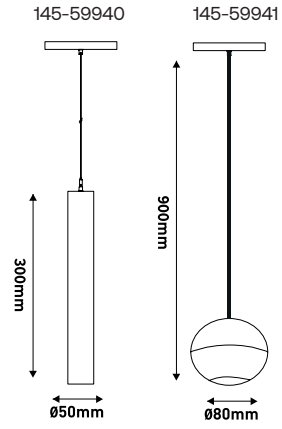
Start Time 0.5 sec • PF >0.50 • Operating Temperature -20°C / +45°C

Connection Contacto magnético / Magnetik Contact

Material Aluminio - Plástico - Cobre / Aluminium - Plastic - Copper

CRI Ra >90	BEAM ANGLE 24°	3 YEARS WARRANTY
-------------------------	--------------------------	-------------------------------

Code	Barcode	Dimension Ø (mm) †	Watt	Amperage mA	Kelvin	Lumen/Watt	Weight (kg)	Packing	MOQ	(€) Price
145-59930	5207227151538	45 x 100	12	300	4000	69	0.200	1/20	1	28,35
145-59931	5207227151545	65 x 140	18	450	4000	83	0.400	1/20	1	39,40
145-59934	5207227259210	45 x 100	12	300	3000	69	0.200	1/20	1	28,35
145-59935	5207227259227	65 x 140	18	450	3000	83	0.400	1/20	1	39,40



Sheng jie
LED Driver

Colgante - Pendant 24°

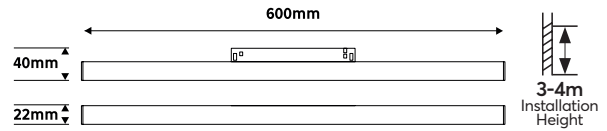


Volt DC 48V · LED Type SMD1313 · Chip Brand Bridgelux
 Start Time 0.5 sec · PF >0.50 · Operating Temperature -20°C / +45°C
 Connection Contacto magnético / Magnetik Contact
 Material Aluminio - Plástico - Cobre / Aluminium - Plastic - Copper

CRI Ra >80	BEAM ANGLE 24°	3 YEARS WARRANTY
-------------------------	--------------------------	-------------------------------

Code	Barcode	Watt	Amperage mA	Kelvin	Lumen/Watt	Weight (kg)	Color	Packing	MOQ	(€) Price
145-59940	5207227151576	10	200	4000	80	0.370	BLACK	1/30	1	48,50
145-59941	5207227151583	7	150	4000	80	0.280	BLACK	1/30	1	55,55





Sheng jie
LED Driver

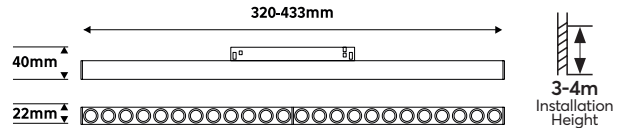
Lineal - Linear Flood 120°

FLICKER FREE
 50.000h
 ON OFF 15.000
 IP20
 CLASS II
 CE
 G
 PRO SERIES

Volt DC 48V · LED Type SMD2835 · Chip Brand Bridgelux* Chip Brand Osram** Start Time 0.5 sec · PF >0.50 · Operating Temperature -20°C / +45°C
 Connection Contacto magnético / Magnetik Contact
 Material Aluminio - Plástico - Cobre / Aluminium - Plastic - Copper

CRI >80
 BEAM ANGLE 120°
 3 YEARS WARRANTY

Code	Barcode	Watt	Amperage mA	Kelvin	Lumen/Watt	Weight (kg)	Color	Packing	MOQ	(€) Price
145-59950*	5207227151507	20	400	4000	80	0.400	BLACK	1/25	1	27,75
145-59954**	5207227259166	18	400	3000	80	0.400	BLACK	1/25	1	27,75



Sheng jie
LED Driver

● Negro/Black

Lineal - Linear Flood 24°

FLICKER FREE
 50.000h
 ON OFF 15.000
 IP20
 CLASS II
 CE
 G
 PRO SERIES

Volt DC 48V · LED Type SMD2835 · Chip Brand Bridgelux* Chip Brand Osram** Start Time 0.5 sec · PF >0.50 · Operating Temperature -20°C / +45°C
 Connection Contacto magnético / Magnetik Contact
 Material Aluminio - Plástico - Cobre / Aluminium - Plastic - Copper

CRI >80
 BEAM ANGLE 24°
 3 YEARS WARRANTY

Code	Barcode	Dimension (mm)	Watt	Amperage mA	Kelvin	Lumen/Watt	Weight (kg)	Packing	MOQ	(€) Price
		↗ ↖ ↔ ↓								
145-59952*	5207227151514	320 x 22 x 40	18	350	4000	80	0.250	1/25	1	35,75
145-59953*	5207227151521	433 x 22 x 40	24	500	4000	80	0.340	1/25	1	40,65
145-59955**	5207227259180	320 x 22 x 40	18	350	3000	80	0.160	1/25	1	35,75
145-59956**	5207227259203	433 x 22 x 40	24	500	3000	80	0.270	1/25	1	40,65

Carril Magnético Empotrado Recessed Magnetic Track

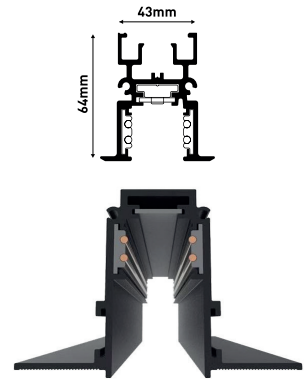


Volt DC 48V · Operating Temperature -20°C / +45°C

Connection Contacto magnético / Magnetik Contact

Material Aluminio - Plástico - Cobre / Aluminium - Plastic - Copper

Code	Barcode	Dimension (mm)			Weight (kg)	Color	Packing	MOQ	(€) Price
		↗	↔	↕					
145-59900	5207227157165	1000	64	43	1.010	BLACK	1/5	1	39,70
145-59901	5207227151590	2000	64	43	2.020	BLACK	1/5	1	67,35



Carril Magnético de superficie Surface Mounted Magnetic Track

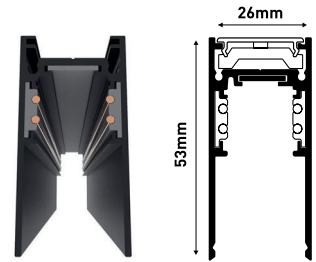


Volt DC 48V · Operating Temperature -20°C / +45°C

Connection Contacto magnético / Magnetik Contact

Material Aluminio - Plástico - Cobre / Aluminium - Plastic - Copper

Code	Barcode	Dimension (mm)			Weight (kg)	Color	Packing	MOQ	(€) Price
		↗	↔	↕					
145-59902	5207227157172	1000	26	53	0.820	BLACK	1/8	1	35,25
145-59903	5207227151606	2000	26	53	1.620	BLACK	1/8	1	80,50



Fuente de Alimentación Driver / 100W 48V DC



Volt DC 48V · Operating Temperature -20°C / +45°C
 Connection Contacto magnético / Magnetik Contact
 Material Aluminio - Plástico - Cobre / Aluminium - Plastic - Copper

Code	Barcode	Weight (kg)	Color	Packing	MOQ	(€) Price
145-59907	5207227151637	0.330	BLACK	1/30	1	20,85



Fuente de Alimentación Driver / 200W 48V DC



Volt DC 48V · Operating Temperature -20°C / +45°C
 Connection Contacto magnético / Magnetik Contact
 Material Aluminio - Plástico - Cobre / Aluminium - Plastic - Copper

Code	Barcode	Weight (kg)	Color	Packing	MOQ	(€) Price
145-59908	5207227151644	0.420	BLACK	1/30	1	35,35



Conector de Alimentación Input Power Connector



Volt DC 48V · Operating Temperature -20°C / +45°C
 Connection Contacto magnético / Magnetik Contact
 Material Aluminio - Plástico - Cobre / Aluminium - Plastic - Copper

Code	Barcode	Weight (kg)	Color	Packing	MOQ	(€) Price
145-59904	5207227151613	0.053	BLACK	1/300	1	10,90



Conector Flexible con cable Flexible Power Connector



Volt DC 48V · Operating Temperature -20°C / +45°C
 Connection Contacto magnético / Magnetik Contact
 Material Aluminio - Plástico - Cobre / Aluminium - Plastic - Copper

Code	Barcode	Weight (kg)	Color	Packing	MOQ	(€) Price
145-59905	5207227151620	0.047	BLACK	1/200	1	17,95

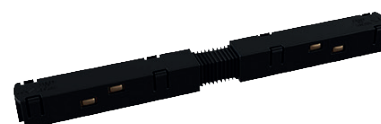


Conector Flexible - Power Connector



Volt DC 48V · Operating Temperature -20°C / +45°C
 Connection Contacto magnético / Magnetik Contact
 Material Aluminio - Plástico - Cobre / Aluminium - Plastic - Copper

Code	Barcode	Weight (kg)	Color	Packing	MOQ	(€) Price
145-59906	5207227190971	0.045	BLACK	1/300	1	7,70



43x100x100mm
Empotrado esquina - Recessed Corner 90°



Operating Temperature -20°C / +45°C
 Material Aluminio / Aluminium

Code	Barcode	Weight (kg)	Color	Packing	MOQ	(€) Price
145-59910	5207227151651	0.160	BLACK	1/30	1	21,35



43x100x100mm
Empotrado esquina - Recessed Corner 90°



Operating Temperature -20°C / +45°C
 Material Aluminio / Aluminium

Code	Barcode	Weight (kg)	Color	Packing	MOQ	(€) Price
145-59911	5207227151668	0.160	BLACK	1/30	1	21,35



43x100x100mm
Empotrado esquina - Recessed Corner 90°



Operating Temperature -20°C / +45°C
 Material Aluminio / Aluminium

Code	Barcode	Weight (kg)	Color	Packing	MOQ	(€) Price
145-59912	5207227151675	0.160	BLACK	1/30	1	21,15



64x100x100mm
Superficie Esquina - Surface Corner 90°



Operating Temperature -20°C / +45°C
 Material Aluminio / Aluminium

Code	Barcode	Weight (kg)	Color	Packing	MOQ	(€) Price
145-59913	5207227151682	0.150	BLACK	1/30	1	21,35



64x100x100mm
Superficie Esquina - Surface Corner



Operating Temperature -20°C / +45°C
 Material Aluminio / Aluminium

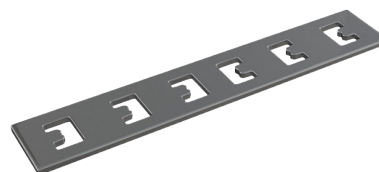
Code	Barcode	Weight (kg)	Color	Packing	MOQ	(€) Price
145-59914	5207227151699	0.150	BLACK	1/50	1	11,55



70x7x2mm
Unión recto empotrado - Conjunction Recessed



Volt DC 48V · Operating Temperature -20°C / +45°C
 Connection Contacto magnético / Magnetik Contact
 Material Aluminio - Plástico - Cobre / Aluminium - Plastic - Copper

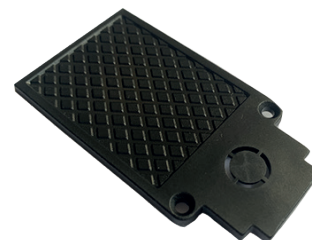


	Barcode	Weight (kg)	Color	Packing	MOQ	(€) Price
145-59915	5207227151705	0.010	BLACK	1/100	1	0,65

50x20x2mm
Tapa final Empotrado - End cup Recessed



Operating Temperature -20°C / +45°C
 Material Plástico / Plastic



Code	Barcode	Weight (kg)	Color	Packing	MOQ	(€) Price
145-59919	5207227190995	0.009	BLACK	1/300	1	1,30

50x20x2mm
Tapa final Superficie, set 2 und
End cup Surface set 2 Pcs



Operating Temperature -20°C / +45°C
 Material Plástico / Plastic



Code	Barcode	Weight (kg)	Color	Packing	MOQ	(€) Price
145-59920	5207227191008	0.009	BLACK	1/300	1	1,30

50x20x2mm
Base Techo - Ceiling Base



Operating Temperature -20°C / +45°C
 Material Metálico / Metallic



Code	Barcode	Weight (kg)	Color	Packing	MOQ	(€) Price
145-59921	5207227205675	0.010	BLACK	1/500	1	2,60



50x20x2mm Unión Superficie - Conjunction Surface



Volt DC 48V

Operating Temperature -20°C / +45°C

Connection Contacto magnético / Magnetik Contact

Material Aluminio - Plástico - Cobre / Aluminium - Plastic - Copper



Code	Barcode	Weight (kg)	Color	Packing	MOQ	(€) Price
145-59916	5207227151712	0.020	BLACK	1/100	1	1,30



2000x1,5x1,5mm Cable de Suspensión - Suspending Wire



Operating Temperature -20°C / +45°C

Material Aluminio-Plástico/Aluminium-Plastic



Code	Barcode	Weight (kg)	Color	Packing	MOQ	(€) Price
145-59917	5207227151729	0.080	BLACK	1/100	1	8,45



50x20x2mm Suspensión tirante fijo - Suspension Rod Stable



Operating Temperature -20°C / +45°C

Material Aluminio-Plástico/Aluminium-Plastic



Code	Barcode	Weight (kg)	Color	Packing	MOQ	(€) Price
145-59918	5207227190988	0.472	BLACK	1/50	1	45,25

PROFESSIONAL

Lightings

COLLECTION

CATÁLOGO DE ILUMINACIÓN
PROFESIONAL y BOMBILLAS

AIMUR[®]
ILUMINACION

AIMUR ILUMINACION SL
Ctra. Alicante, 251 Nave 3 C/ Álamos, 14
30007 - Murcia (SPAIN)

T: +34 968 27 13 59
F: +34 968 20 47 45
iluminacion@aimur.com

www.aimur.com